

Fiche article : Hollow punch 27 mm (Copie) - Référence :
JLB27.5

HOLLOW PUNCH 27 MM (COPIE)



44,35 € excl. tax
53,22 € incl. tax



Made in France

SKU: JLB27.5 | **Categories:** [Hollow punches Ø21 to 30](#) |

DESCRIPTION DU PRODUIT

Made of high resistance steel, Boehm's JLB model hollow punches ensure a precise cut-out of pallets, washers or gaskets in soft materials: paper tape, foam, cardboard, leather, felt, cork, rubber, plastic, fabric, ...etc.

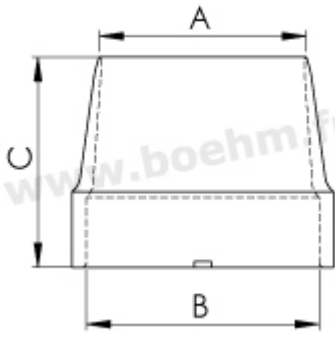
Compatibility

This hollow punch can be locked thanks to a spur system on the following chucks and handles :
JLBM30, JLBM30PA, JLBM50, JLBM50PA, JLBM60, JLBM60PA and JLBM100

[See all our striking tools](#)

Other features:

Fiche article : Hollow punch 27 mm (Copie) - Référence :
JLB27.5



A:27 mm B:31 mm C:32 mm

Fastening method: by locking onto chuck or handle (JLB model)

Twinning possibilities: [see the twinning table](#)

For more information on how to use these tools, please consult our [our tutorials](#)



Made in France

INFORMATIONS COMPLÉMENTAIRES

Weight 0,04 kg

Diameter in mm

Fiche article : Hollow punch 27 mm (Copie) - Référence :
JLB27.5

